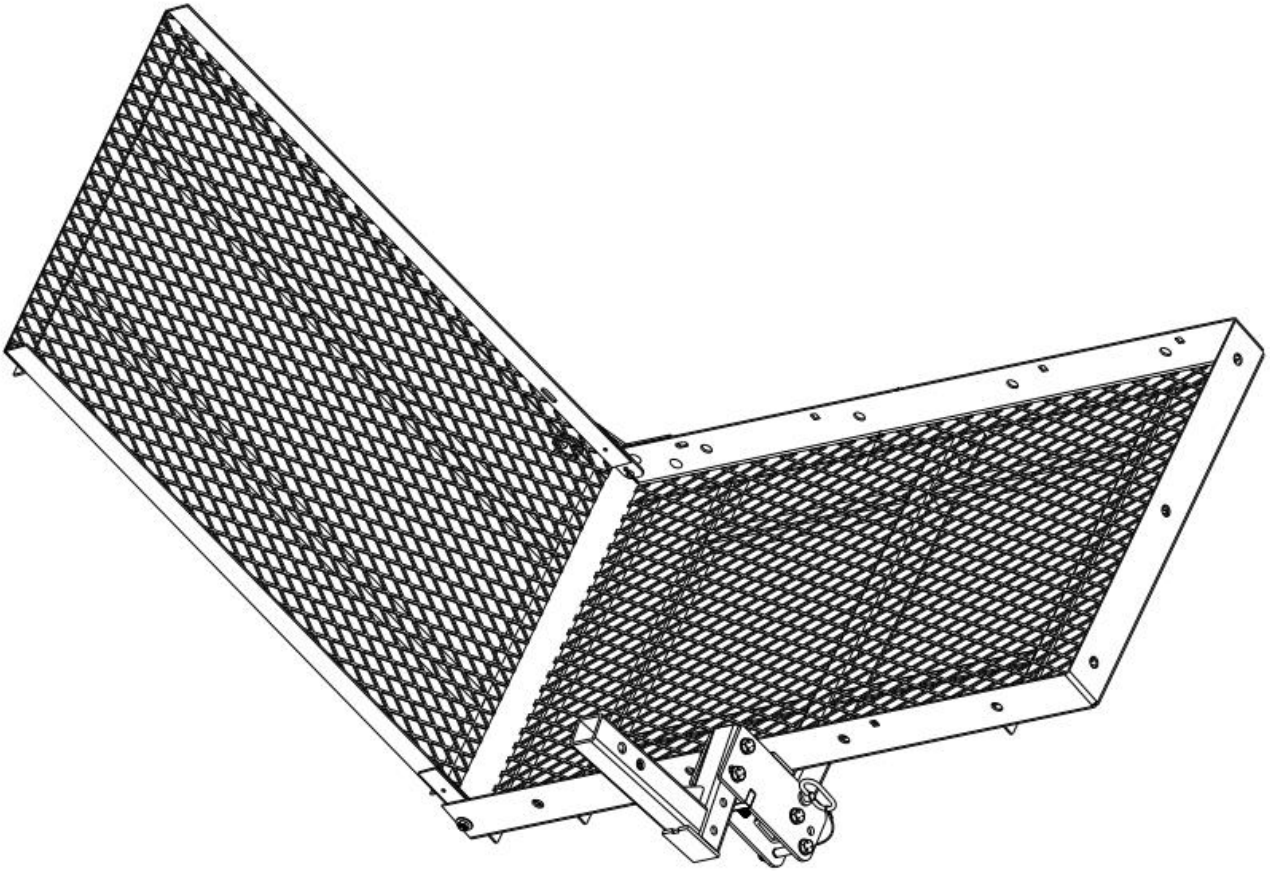


EZC EZ CARRIER



Customer Care:

For Service at any time, go to

www.ezcarrierusa.com

Or call 888-302-2774

Monday – Friday 9 A.M. – 4 P.M. EST

To activate your 1-year manufacturer's warranty please fill out and return your warranty card or register your product online with us at ezcarrierusa.com within 10 days of receiving your purchase.

READ ALL WARNINGS AND PRECATIONS BEFORE CONTINUING

TABLE OF CONTENTS

IMPORTANT SAFETY WARNINGS & PRECAUTIONS	PAGE 3
INSTALLATION	PAGE 4
PART IDENTIFICATION CHART	PAGE 5
ASSEMBLY – MODEL 2 CLASS II RECIEVER ATTACHMENT	PAGE 6
ASSEMBLY – MODEL 2 CLASS III RECIEVER ATTACHMENT	PAGE 7
ASSEMBLY – MODEL 3 CLASS II RECIEVER ATTACHMENT	PAGE 8
ASSEMBLY – MODEL 3 CLASS III RECIEVER ATTACHMENT	PAGE 9
ASSEMBLY – ATTACHING SWING-AWAY OPTION	PAGE 10
ASSEMBLY – ATTACHING THE I-FRAME AND PLATFORM	PAGE 11
ASSEMBLY – INSTALLING THE RAMP	PAGE 12
ASSEMBLY – INSTALLING THE RAMP BRACKET	PAGE 13
OPERATING YOUR CARRIER – FOLDING INTO THE STORAGE POSITION	PAGE 14
OPERATING YOUR CARRIER – FOLDING INTO THE CARRYING POSITION	PAGE 15
OPERATING YOUR CARRIER – LOADING THE CARRIER AND OPENING AND CLOSING THE RAMP	PAGE 16
ASSEMBLY – ATTACHING THE ANTI-DRAG WHEEL OPTION	PAGE 17
ASSEMBLY – ATTACHING THE EZ LOADER OPTION	PAGE 18
ASSEMBLY – ATTACHING THE CARGO BUCKLE OPTION	PAGE 19
FAQS	PAGE 20
NOTES	PAGE 21
RETURN AND CANCELLATION POLICY	PAGE 22
LIMITED WARRANTY	PAGE 23-24
LIABILITY DISCLAIMER	PAGE 25

Thank you for your purchase of an EZ Carrier product! We truly appreciate your business and look forward to supporting you as a customer. We are highly confident you will be satisfied with your carrier no matter its application. From transporting mobility devices to outdoor recreational equipment and gear to general cargo carrying, we are sure your EZ Carrier product will meet all your needs.

Before continuing, make sure to **CAREFULLY READ AND FAMILIARIZE** yourself with this instruction manual, as it provides crucial instructions for proper use and maintenance of your EZ Carrier product.

Technical specifications, supporting documents, and operator’s manuals for your product can be found online at www.ezcarrierusa.com.

You can reach us directly by email at service@ezcarrierusa.com or by phone at (888) 302-2774.





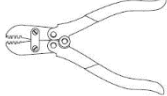
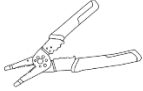

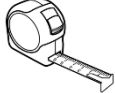
IMPORTANT SAFETY WARNINGS & PRECAUTIONS

IMPORTANT!:

READ ALL WARNINGS AND PRECATIONS BEFORE CONTINUING

- Always Inspect your carrier prior to operation, checking to confirm no parts are worn or damaged. If ANY parts are worn or damaged, DO NOT USE THE CARRIER. Failure to properly tighten bolts and insert pins where required may cause assembly failure, serious injury or death. Always check that all bolts are securely fastened and pins are locked in place before use of the product. Ensure you always secure your mobility device before driving.
- A carrier and cargo add weight to the vehicle and improperly or under inflated tires may cause unexpected movement, serious injury or death. Always check the vehicle tires are properly inflated before using the carrier.
- A carrier and cargo add weight to the vehicle and lengthens the time and distance that it takes to merge with or pass other vehicles as well as stopping your vehicle. Failure to allow additional time and distance for these actions may result in an accident, serious injury or death. Review the guidelines provided by your automobile manufacturer's manual and adjust your riding accordingly, allowing extra time and distance for these actions. Likewise, always drive slowly over potholes, unpaved roads, railroad tracks, speed bumps or uneven terrain. Failure to follow these precautions WILL damage your carrier and WILL NOT BE covered by the warranty.
- Vehicles parked on an incline or too close to curbs, steps and uneven surfaces may cause unexpected movement of the load or load tip over resulting in physical damage, serious injury or death. Always park the vehicle on a flat surface and engage the parking brake before placing a load on the carrier and moving the platform. Check the area around the platform is clear of the curb, flat and free of debris. Never stand between the vehicle and the platform.
- Positioning any part of your body close to the moving platform when loading and unloading may cause serious injury or death. Always maintain a safe distance away from the moving platform and all body parts. Never lie or reach underneath the platform without adequately blocking the space between the platform and ground.
- Use of the carrier for purposes other than the stated intent may cause physical damage, serious injury or death. Never allow children to climb, play or ride on the carrier. Do not place animals or unstable loads on the carrier. Do not overload the carrier, check the maximum weight capacity for your hitch class and vehicle. Remember to drive with EXTREME CARE while transporting your mobility device on the carrier to avoid damages to persons or property.
- When manually raising or lowering the platform the crank handle may unexpectedly spin when released causing serious injury or death. Always unplug the wiring and maintain control of the emergency crank handle and keep body parts (head, eyes etc.) away from the handle. NEVER push the rocker switch to the ON position when using the crank handle.
- Movement of the carrier assembly and platform may create pinch points that could cause serious injury or death. Always keep all body parts, long hair, loose clothing and jewelry away from moving parts when using the carrier.
- Changing or adding unauthorized parts to the carrier and removing parts from the carrier may adversely affect the functionality of the product. These actions are not recommended and will void the warranty

INSTALLATION

Wrench (9/16", 5/8", 3/4", 7/8")	
Socket Wrench (9/16", 5/8", 3/4", 7/8")	
Allen Hex Wrench (5/32")	
Phillips Screwdriver	
Pliers or Crimping Tool	
Wire Strippers	
Heat Gun	
Tape Measure	

PROFESSIONAL INSTALLATION IS REQUIRED. When installing your carrier practice safe working habits. **NEVER** attempt to install the lift without two persons present. Wear all proper personal protective equipment (gloves, safety glasses, etc.) during installation. To avoid damage to parts and hardware do not use power tools to assemble or install your carrier. Prior to assembly locate your hardware bag and verify its contents with the provided hardware list before continuing. Do not dispose of any packing materials until installation has been completed. Installation should not be performed in inclement weather that endangers the installer's safety or ability to perform the task in a safe manner.

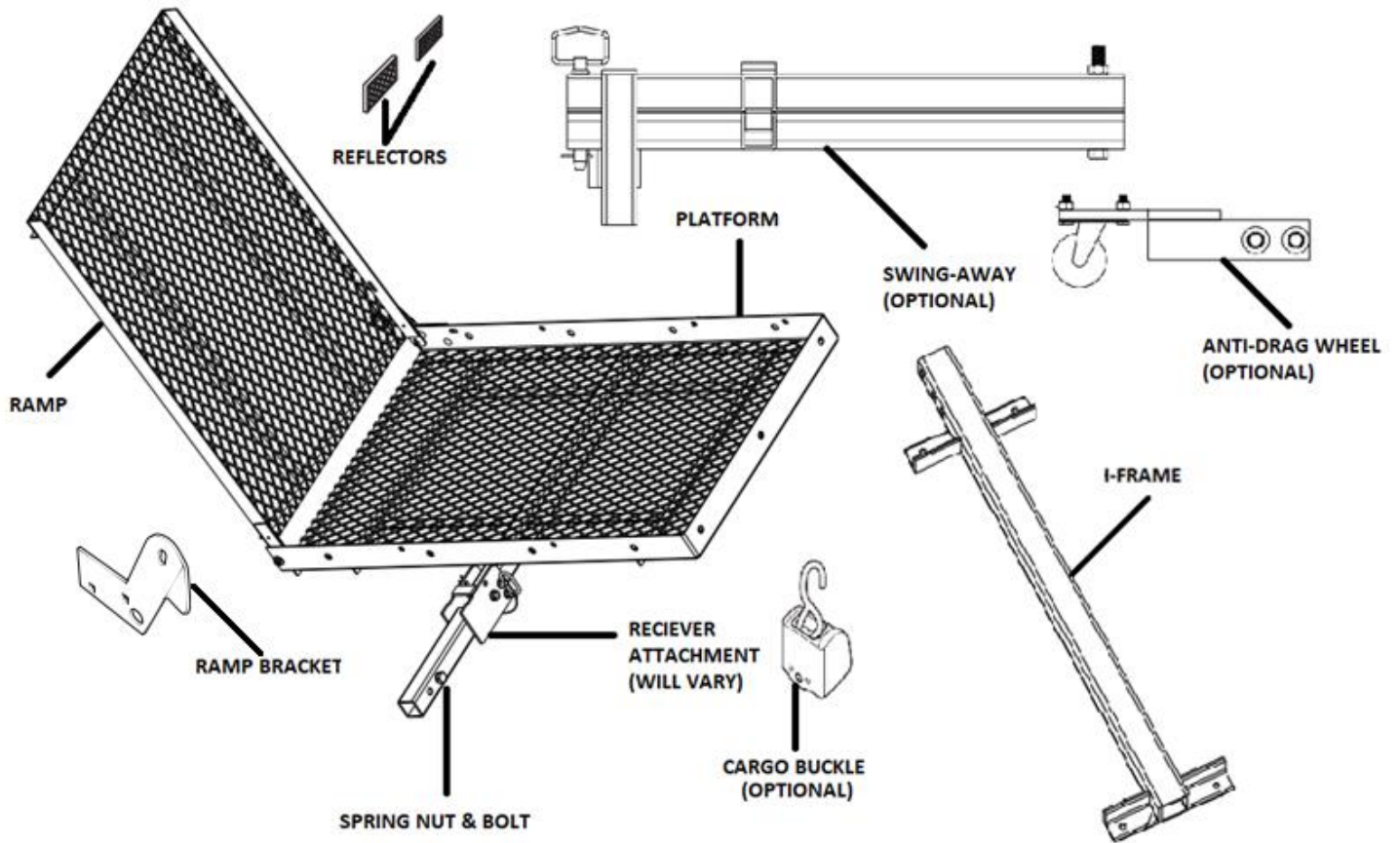
DO NOT continue with installation of the carrier if the vehicle or hitch has severe wear, rust, structural damage, a possible suspension issue or the battery condition or age are in question. If you fail to follow this precaution, you do so knowing your warranty will be **VOID**. If at any time you have concerns or question about installation **DO NOT** continue with installation, and instead seek assistance from a qualified technician, as failure to properly install the carrier can lead to property damage and serious personal injury.

IMPORTANT!:

EZ Carrier is not liable for any damages, injuries or deaths due to improper installation. Please remember to always inspect your carrier for loose bolts, pins, wear or damage prior to use.

PART IDENTIFICATION CHART

Before reading further please familiarize yourself with the parts that are labeled in the drawing below:



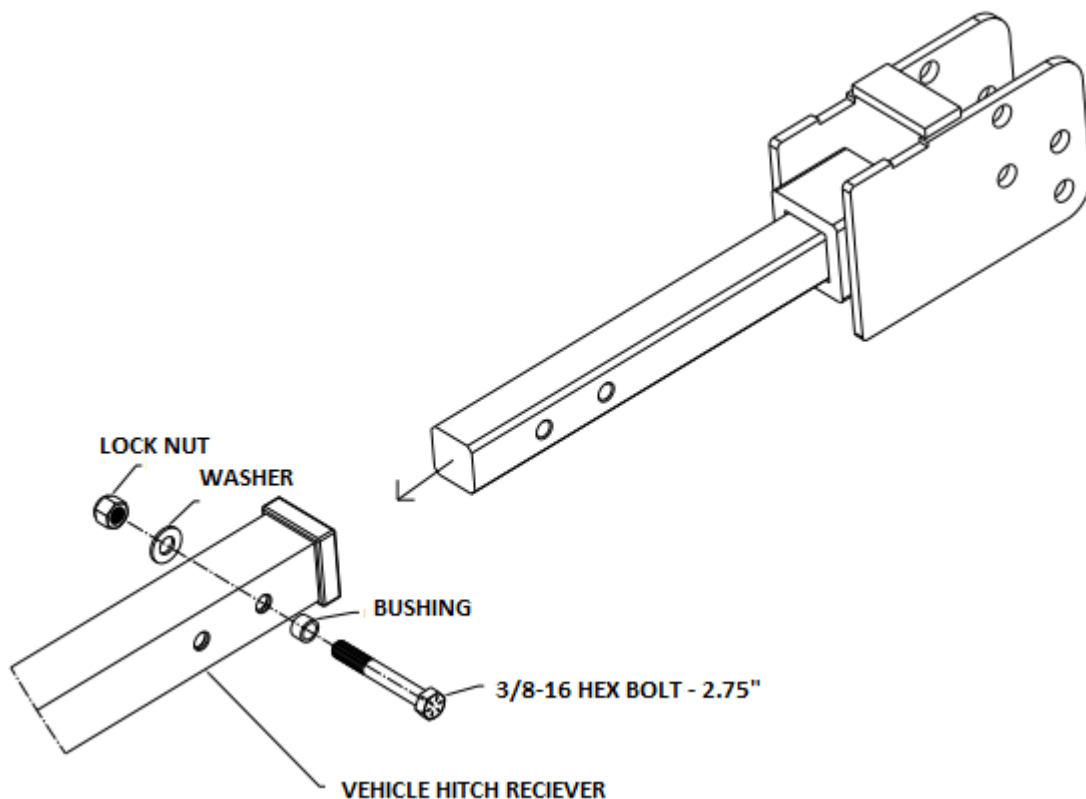
ASSEMBLY – MODEL 2 CLASS II RECIEVER ATTACHMENT

WARNING!

Failure to properly tighten bolts and insert pins where required may cause assembly failure, serious injury or death. Always check that all bolts are securely fastened and pins are locked in place before use of the product.

Class II

- 1.) Place the collar on the 3/8 Hex Head Bolt
- 2.) Insert the Receiver Attachment Connector into the vehicle receiver hitch.
- 3.) Slide the Receiver Attachment into the hitch receiver on the vehicle and align the holes between the two. (Note: It is recommended that you align the holes to the second hole on the arm).
- 4.) Place the washer over the threaded end of the bolt and screw the nut onto the bolt.
- 5.) Using a 9/16 wrench and socket wrench, tighten the nut and bolt with a wrench until the Attachment is securely fastened to the receiver hitch. Unscrew the spring nut from the bolt.



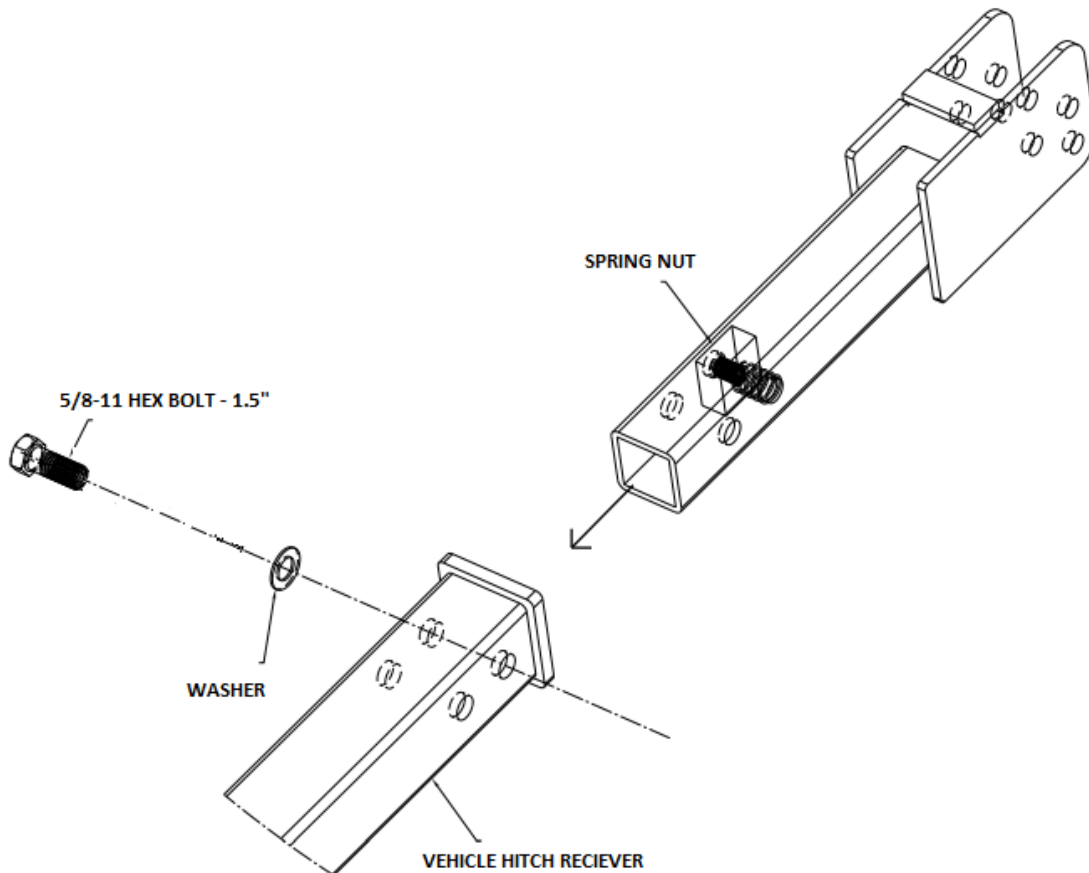
ASSEMBLY – MODEL 2 CLASS III RECIEVER ATTACHMENT

WARNING!

Failure to properly tighten bolts and insert pins where required may cause assembly failure, serious injury or death. Always check that all bolts are securely fastened and pins are locked in place before use of the product.

Class III

- 1.) Insert the spring nut into the shank tube of the Receiver Attachment. Align the spring and threads on the spring nut with the shank tube holes (Note: It is recommended that you align the spring nut to the second hole on the arm).
- 2.) Slide the Receiver Attachment into the hitch receiver on the vehicle and align the holes between the two.
- 3.) Insert the bolt and split locking washer into the spring nut and screw tight. Using a 7/8 wrench or socket, the pin should be tightened between 30 and 60 ft-lb of torque (e.g., similar to tightening a lug nut on a car wheel).



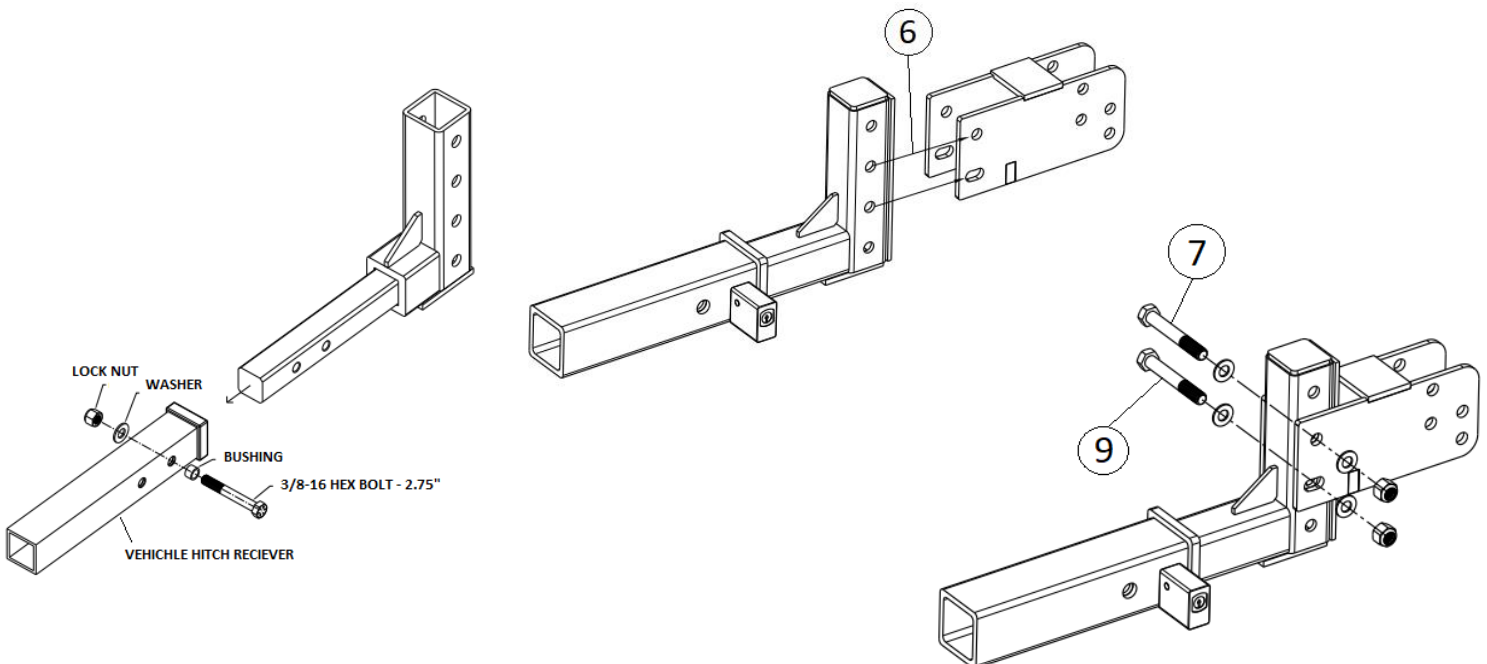
ASSEMBLY – MODEL 3 CLASS II RECIEVER ATTACHMENT

WARNING!:

Failure to properly tighten bolts and insert pins where required may cause assembly failure, serious injury or death. Always check that all bolts are securely fastened and pins are locked in place before use of the product.

Class II

- 1.) Place the collar on the 3/8 Hex Head Bolt
- 2.) Insert the Receiver Attachment Connector into the vehicle receiver hitch.
- 3.) Slide the Receiver Attachment into the hitch receiver on the vehicle and align the holes between the two. (Note: It is recommended that you align the holes to the second hole on the arm).
- 4.) Place the washer over the threaded end of the bolt and screw the nut onto the bolt.
- 5.) Using a 9/16 wrench and socket wrench, tighten the nut and bolt with a wrench until the Attachment is securely fastened to the receiver hitch.
- 6.) Align the holes on the Pivot Adapter with the holes on the Receiver Attachment.
- 7.) Insert the 1/2 x 3.5 bolt and washer into the upper holes. Attach the washer and nut but do not tighten at this point.
- 8.) Adjust the tilt of the Pivot Adapter by turning the adjustment bolt until you have the desired angle (Note: It is recommended the top of the Swing-Away tilts slightly towards the vehicle). Tighten the nut on the adjusting bolt to secure the setting of the adjusting bolt.
- 9.) Insert the second 1/2 x 3.5 hex bolt with the washers and nut into the lower slotted holes.
- 10.) Using a 3/4 wrench and socket wrench, firmly tighten the nuts on the 1/2 x 3.5 hex bolts.
- 11.) Align the holes on the Swing-Away mounting bracket with the holes on the Receiver Attachment.
- 12.) Insert the 1/2 x 3.5 bolt and washer into the upper holes. Attach the washer and nut but do not tighten at this point.
- 13.) Adjust the tilt of the Swing-Away by turning the adjustment bolt until you have the desired angle (Note: It is recommended the top of the Swing-Away tilts slightly towards the vehicle). Tighten the nut on the adjusting bolt to secure the setting of the adjusting bolt.
- 14.) Insert the second 1/2 x 3.5 hex bolt with the washers and nut into the lower slotted holes.
- 15.) Using a 3/4 wrench and socket wrench, firmly tighten the nuts on the 1/2 x 3.5 hex bolts.



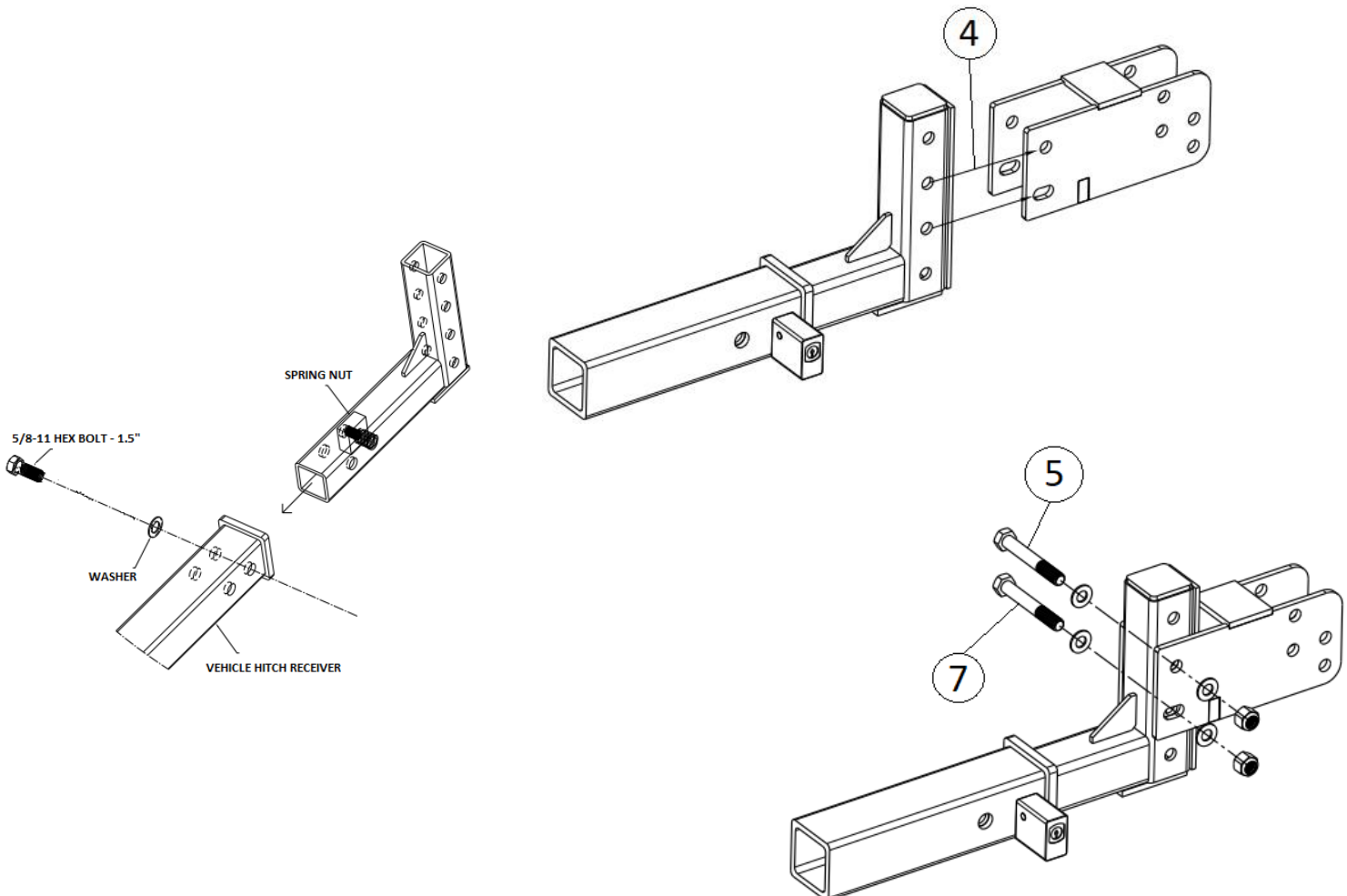
ASSEMBLY – MODEL 3 CLASS III RECIEVER ATTACHMENT

WARNING!:

Failure to properly tighten bolts and insert pins where required may cause assembly failure, serious injury or death. Always check that all bolts are securely fastened and pins are locked in place before use of the product.

Class III

- 1.) Insert the spring nut into the shank tube of the Receiver Attachment. Align the spring and threads on the spring nut with the shank tube holes (Note: It is recommended that you align the spring nut to the second hole on the arm).
- 2.) Slide the Receiver Attachment into the hitch receiver on the vehicle and align the holes between the two.
- 3.) Insert the bolt and split locking washer into the spring nut and screw tight. Using a 7/8 wrench or socket, the pin should be tightened between 30 and 60 ft-lb of torque (e.g., similar to tightening a lug nut on a car wheel).
- 4.) Align the holes on the Pivot Adapter with the holes on the Receiver Attachment.
- 5.) Insert the 1/2 x 3.5 bolt and washer into the upper holes. Attach the washer and nut but do not tighten at this point.
- 6.) Adjust the tilt of the Pivot Adapter by turning the adjustment bolt until you have the desired angle (Note: It is recommended the top of the Swing-Away tilts slightly towards the vehicle). Tighten the nut on the adjusting bolt to secure the setting of the adjusting bolt.
- 7.) Insert the second 1/2 x 3.5 hex bolt with the washers and nut into the lower slotted holes.
- 8.) Using a 3/4 wrench and socket wrench, firmly tighten the nuts on the 1/2 x 3.5 hex bolts.



ASSEMBLY – ATTACHING SWING-AWAY OPTION

WARNING!:

NEVER open the Swing-Away with a load on the carrier. You will damage the Swing-Away and carrier while also potentially damaging the vehicle and the mobility device. Any of these actions will VOID your warranty.

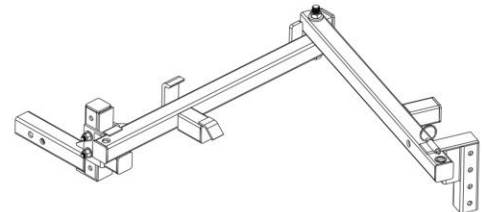
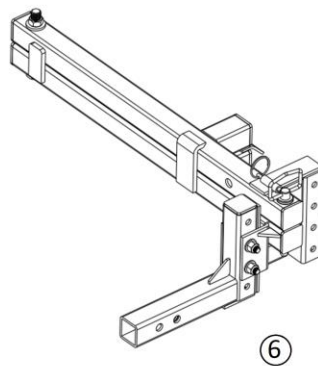
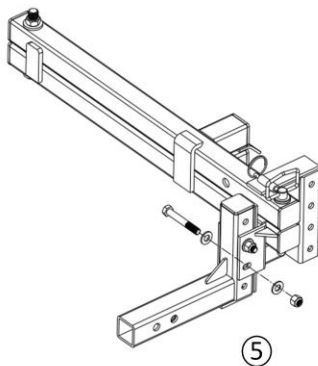
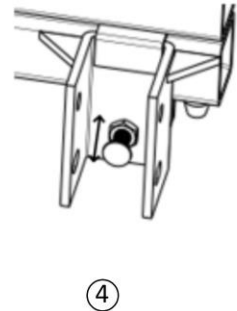
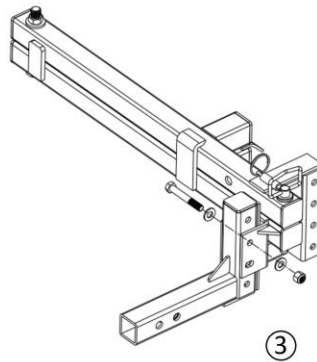
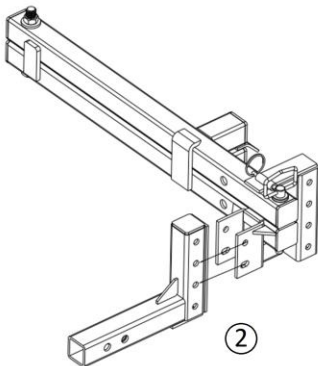
WARNING!:

DO NOT open the Swing-Away on unlevelled ground. Opening the Swing-Away on unlevelled ground may cause you to lose control of the carrier, resulting in personal injury and damage to property.

WARNING!:

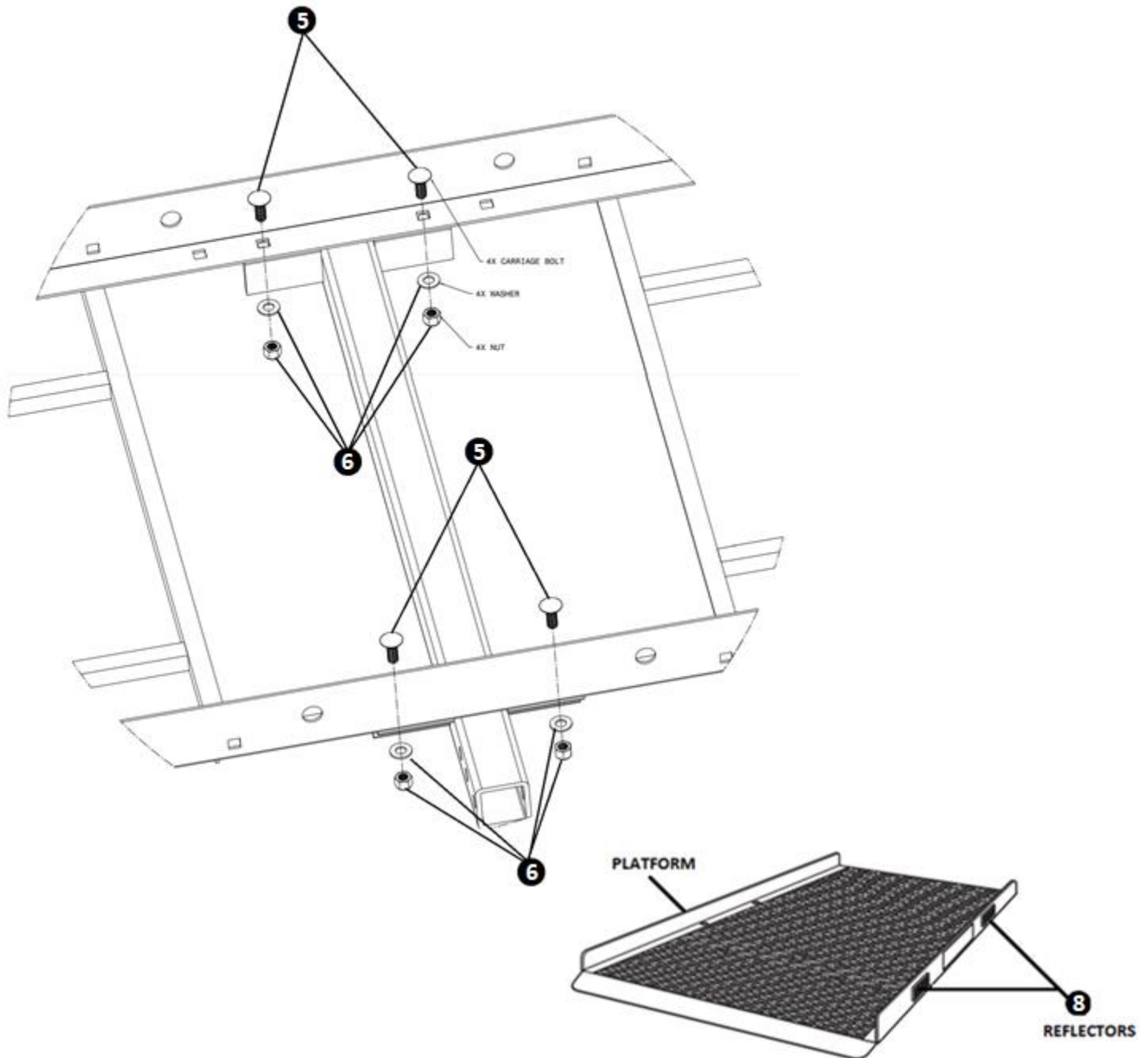
When operating the Swing-Away be sure to stay clear of moving parts and pinching points to avoid personal injury. The clevis pin must be installed and locked in the Swing-Away securely before transit to avoid damage and injury.

- 1.) Remove pre-installed hardware from the Swing-Away mounting bracket (1/2 x 3.5 hex bolts, washers and lock nuts).
- 2.) Align the holes on the Swing-Away mounting bracket with the holes on the Receiver Attachment.
- 3.) Insert the 1/2 x 3.5 bolt and washer into the upper holes. Attach the washer and nut but do not tighten at this point.
- 4.) Adjust the tilt of the Swing-Away by turning the adjustment bolt until you have the desired angle (Note: It is recommended the top of the Swing-Away tilts slightly towards the vehicle). Tighten the nut on the adjusting bolt to secure the setting of the adjusting bolt.
- 5.) Insert the second 1/2 x 3.5 hex bolt with the washers and nut into the lower slotted holes.
- 6.) Using a 3/4 wrench and socket wrench, firmly tighten the nuts on the 1/2 x 3.5 hex bolts.



ASSEMBLY – ATTACHING THE I-FRAME AND PLATFORM

- 1.) Install the 1/2 x 3.5 hex head bolt and washer into the support bolt hole on Receiver Attachment nut using a 3/4 wrench and socket wrench.
- 2.) Align the hole for the pivot bolt on the platform with the pivot bolt hole on the Receiver Attachment and install the second 1/2 x 3.5 hex head bolt and washer into the pivot holes and install the other washer and lock nut using a 3/4 wrench and socket wrench.
- 3.) Place the Platform on top of the I-Frame so the EZ Carrier stickers face away from the vehicle.
- 4.) Align the four square holes in the Platform with the holes in the I-Frame.
- 5.) Insert each of the 3/8 x 1 carriage bolts through the square holes in the platform.
- 6.) From underneath the I-Frame, place the washers and lock nuts onto the bolts.
- 7.) Using a 9/16 wrench or socket wrench firmly tighten the nuts.
- 8.) Attach the included safety reflectors to the platform.

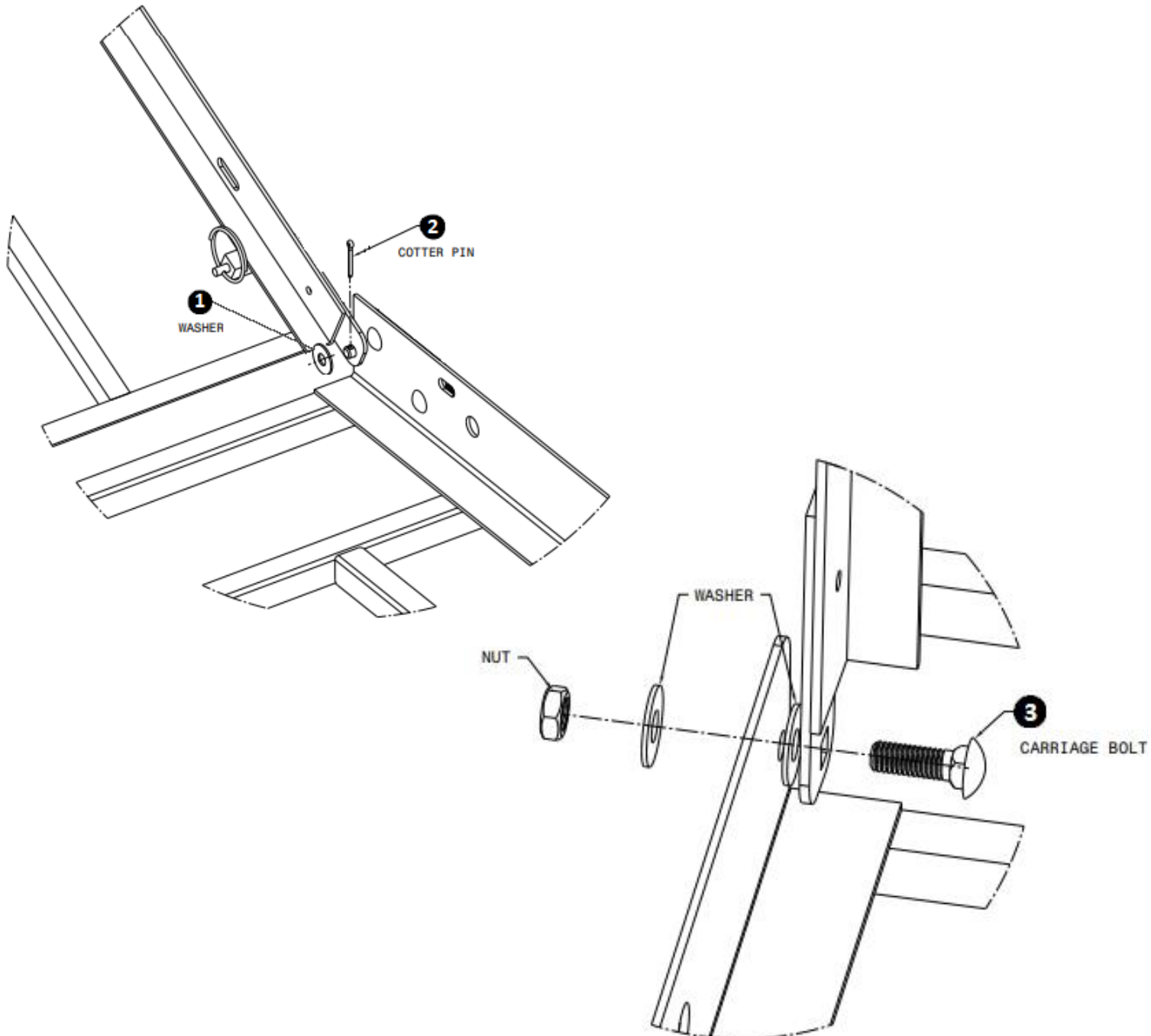


ASSEMBLY – INSTALLING THE RAMP

WARNING!

When operating your carrier be sure to stay clear of moving parts and pinching points to avoid personal injury.

- 1.) Align the hole on the left side of the Ramp with the pin on the Platform. Carefully rest the Ramp on the ground and place a 3/8 Washer over the pin.
- 2.) Insert the Cotter Pin, and using pliers bend the ends to secure the Cotter Pin.
- 3.) On the right side, insert the 3/8 x 1 carriage bolt and install two 3/8 washers and locknut as displayed in the graphic
- 4.) Using a 9/16 wrench or socket wrench firmly tighten the nut.

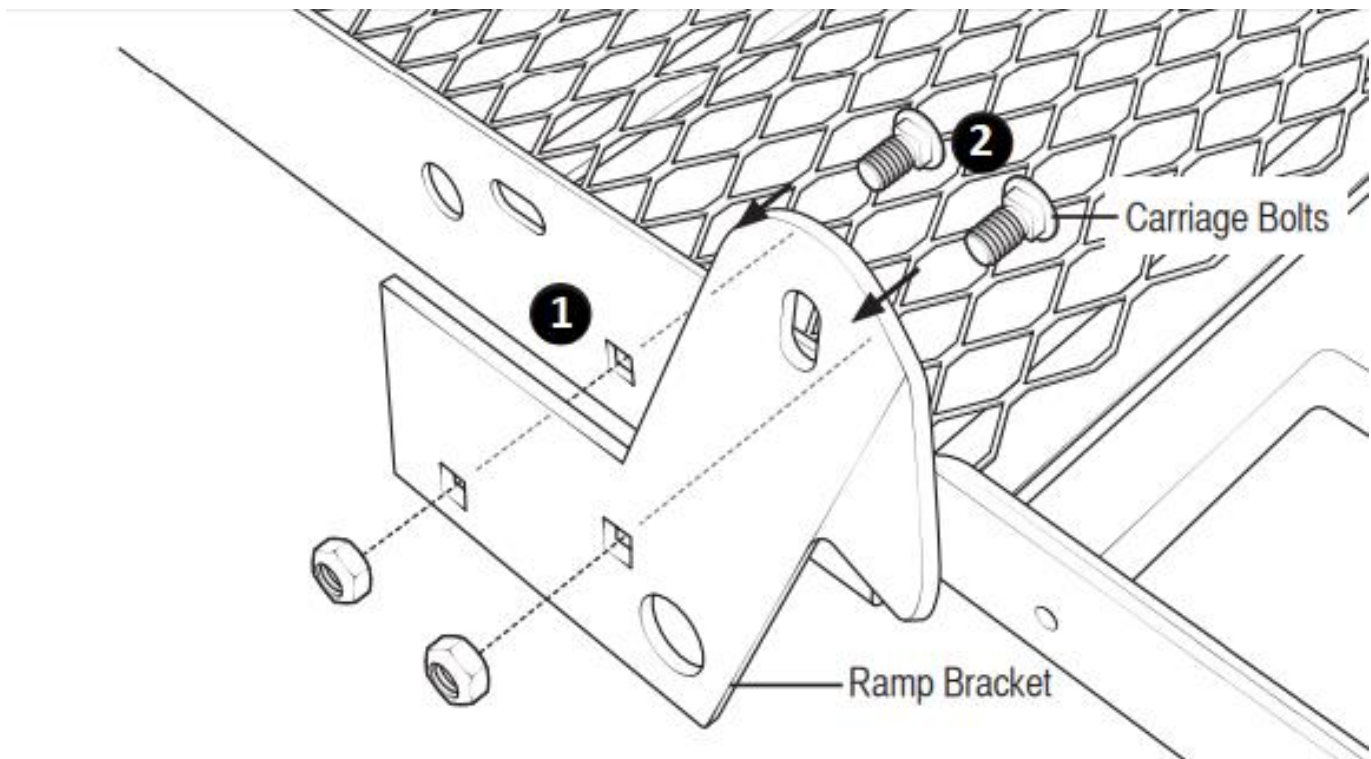


ASSEMBLY – INSTALLING THE RAMP BRACKET

WARNING!:

When operating your carrier be sure to stay clear of moving parts and pinching points to avoid personal injury.

- 1.) Align the two square holes on the Ramp Bracket and Carrier Platform
- 2.) Insert the two 3/8" Carriage Bolts through the square holes on the Ramp Bracket and Carrier Platform.
Note: The nuts must be placed on the outside of the Carrier Platform and Ramp Bracket.
- 3.) Using a 9/16 wrench or socket wrench firmly tighten the nuts

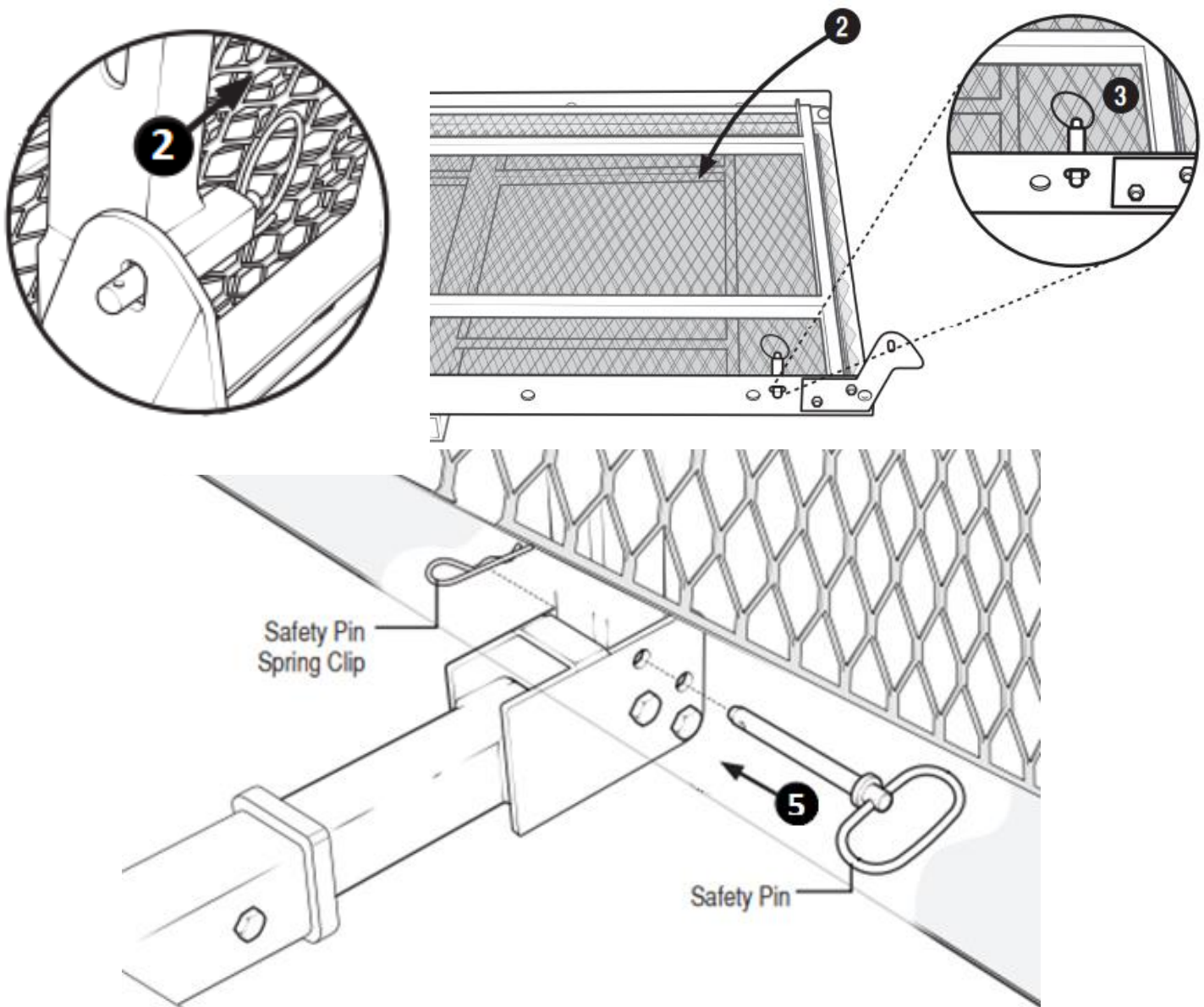


OPERATING YOUR CARRIER – FOLDING INTO THE STORAGE POSITION

WARNING!:

When operating your carrier be sure to stay clear of moving parts and pinching points to avoid personal injury. Loss of control when raising or lowering the carriage platform and ramp may cause serious injury or death. Always maintain a secure grip on the platform and ramp during raising and lowering. Do not get your fingers caught between the ramp and the ground. DO NOT attempt to fold the carrier into the storage position if you cannot lift 50 pounds.

- 1.) Using the handle on the Ramp, lift the ramp until it locks into place on the Ramp Bracket.
- 2.) Pull back on the Ramp Latch Pin to release the Ramp from the Ramp Bracket and slowly lower the Ramp onto the Carriage Platform.
- 3.) When the Ramp is set in the Carriage Platform the Ramp Latch Pin will lock into place.
- 4.) Check to ensure the Ramp Latch pin is securely in set in place.
- 5.) Fold platform to the storage or up position and place the loop grip clevis pin with the safety clip through the storage position hole (the loop grip clevis pin with safety clip will always go through the 2 x 2 support beam of the platform).

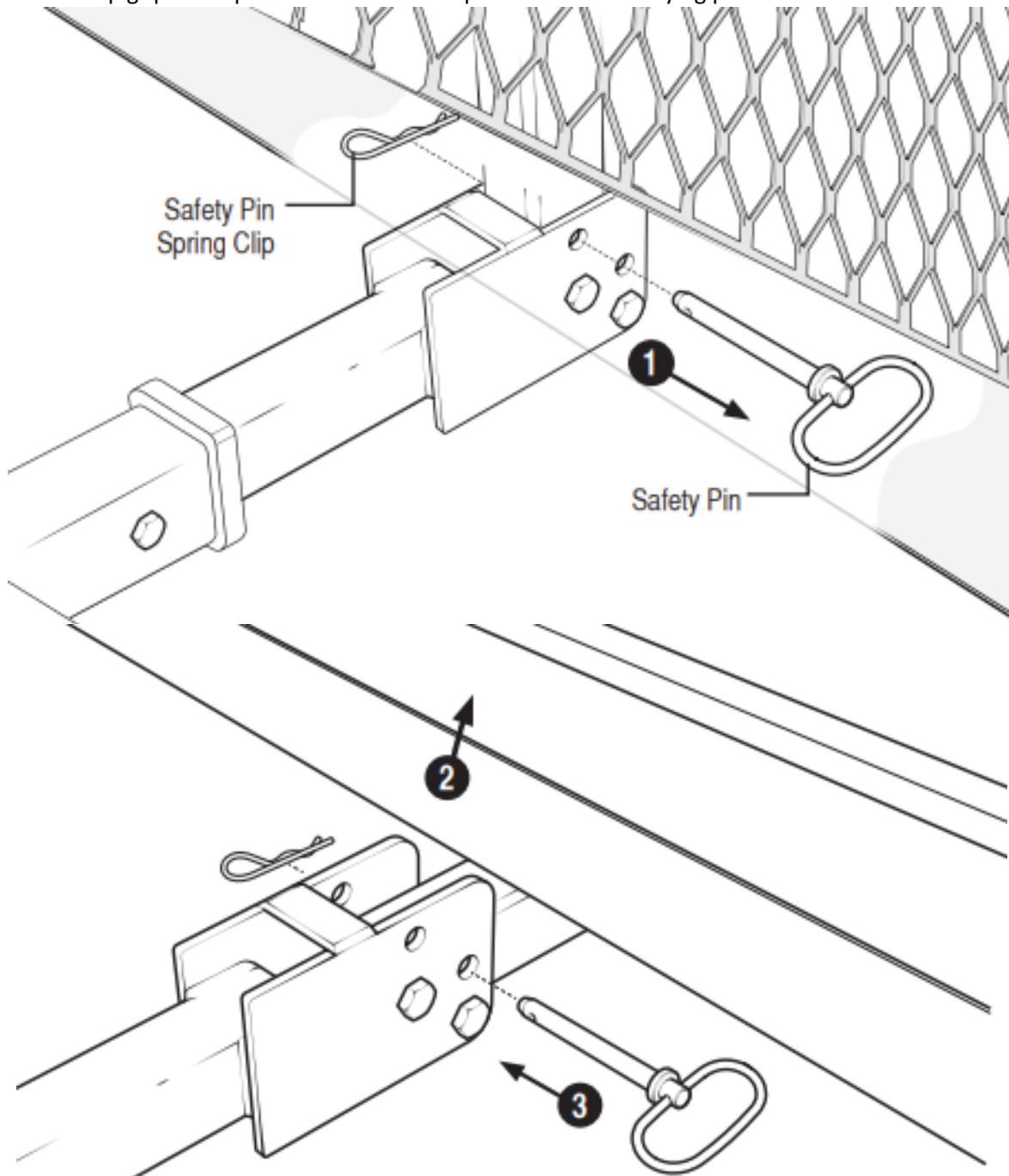


OPERATING YOUR CARRIER – FOLDING INTO THE CARRYING POSITION

WARNING!:

When operating your carrier be sure to stay clear of moving parts and pinching points to avoid personal injury. Loss of control when raising or lowering the carriage platform and ramp may cause serious injury or death. Always maintain a secure grip on the platform and ramp during raising and lowering. Do not get your fingers caught between the ramp and the ground. **DO NOT** attempt to fold the carrier into the carrying position if you cannot lift 50 pounds.

- 1.) While supporting the platform in the storage or up position with one arm, remove the loop grip clevis pin and fold the platform down like a tailgate.
- 2.) With both hands, securely grip and lower the Carriage down like a tailgate.
- 3.) Place the loop grip clevis pin back in to lock the platform in the carrying position.



OPERATING YOUR CARRIER – LOADING THE CARRIER AND OPENING AND CLOSING THE RAMP

WARNING!:

Make sure to always secure the ramp in place with the locking pin.

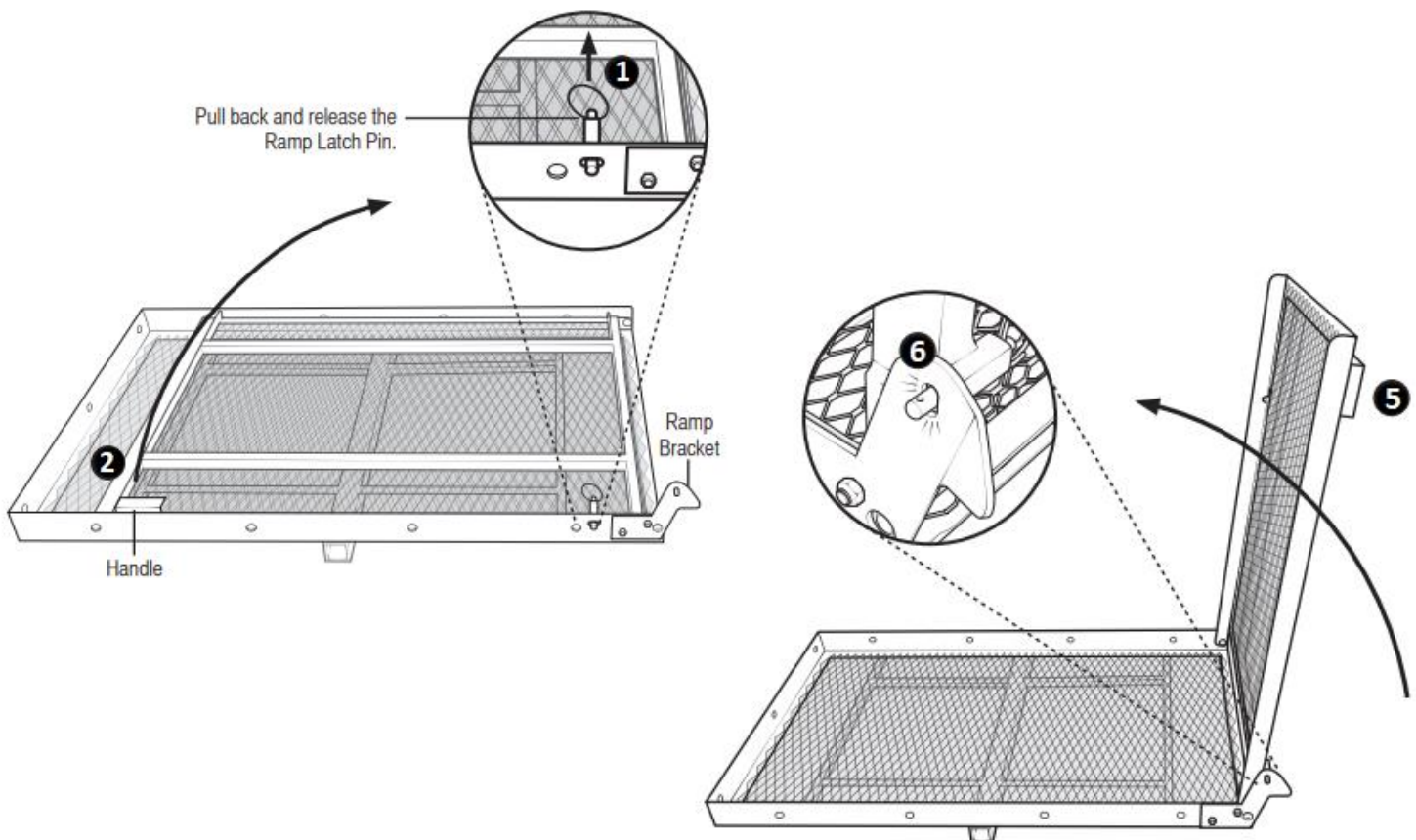
WARNING!:

When operating your carrier be sure to stay clear of moving parts and pinching points to avoid personal injury. Loss of control when raising or lowering the carriage platform and ramp may cause serious injury or death. Always maintain a secure grip on the platform and ramp during raising and lowering. Do not get your fingers caught between the ramp and the ground.

WARNING!:

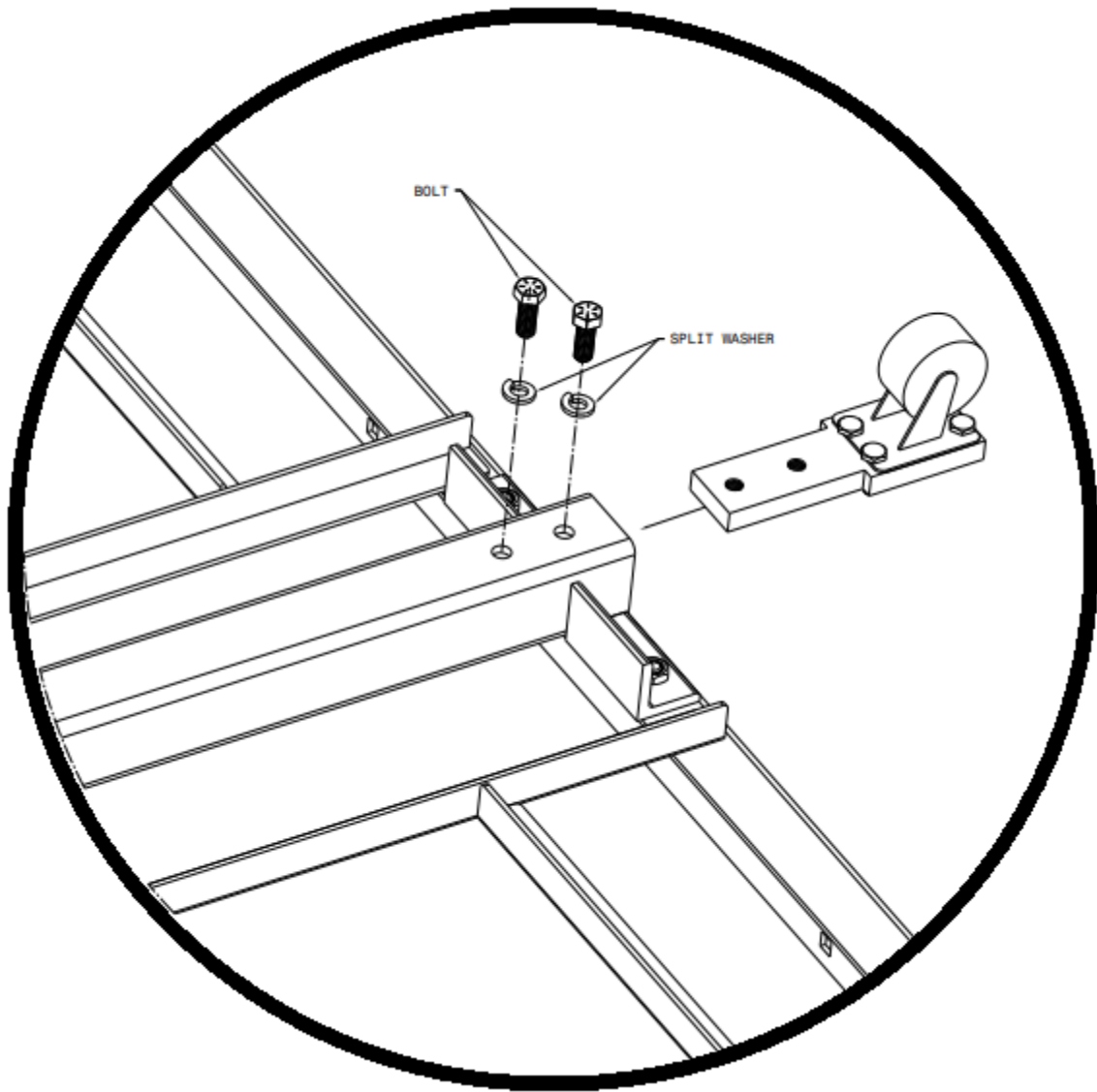
Always guide the mobility device up the ramp and onto the carrier. DO NOT drive mobility device up the ramp and onto the carrier. Make sure to stay away from uneven surfaces curbs, steps, etc. that may cause the platform to tip or be off balance.

- 1.) Pull the locking pin to free the Ramp from the Platform.
- 2.) Using the handle on the Ramp, unfold the Ramp.
- 3.) With both hands holding onto the handle, carefully lift the Ramp up and slowly lower the Ramp onto the ground. Note: Pull the Ramp Latch Pin back as you move the Ramp past the Ramp Bracket.
- 4.) Load your cargo and secure it to the Platform. Always guide the mobility device up the ramp and onto the carrier. DO NOT drive mobility device up the ramp and onto the carrier.
- 5.) Return the Ramp to the cargo loaded position.
- 6.) Confirm the Ramp Latch Pin locks into position.



ASSEMBLY – ATTACHING THE ANTI-DRAG WHEEL OPTION

- 1.) Place the Anti-Drag Wheel inside the 2" support beam and align with the predrilled holes
- 2.) Insert the provided split washers and hex bolts and tighten with 9/16" wrench.

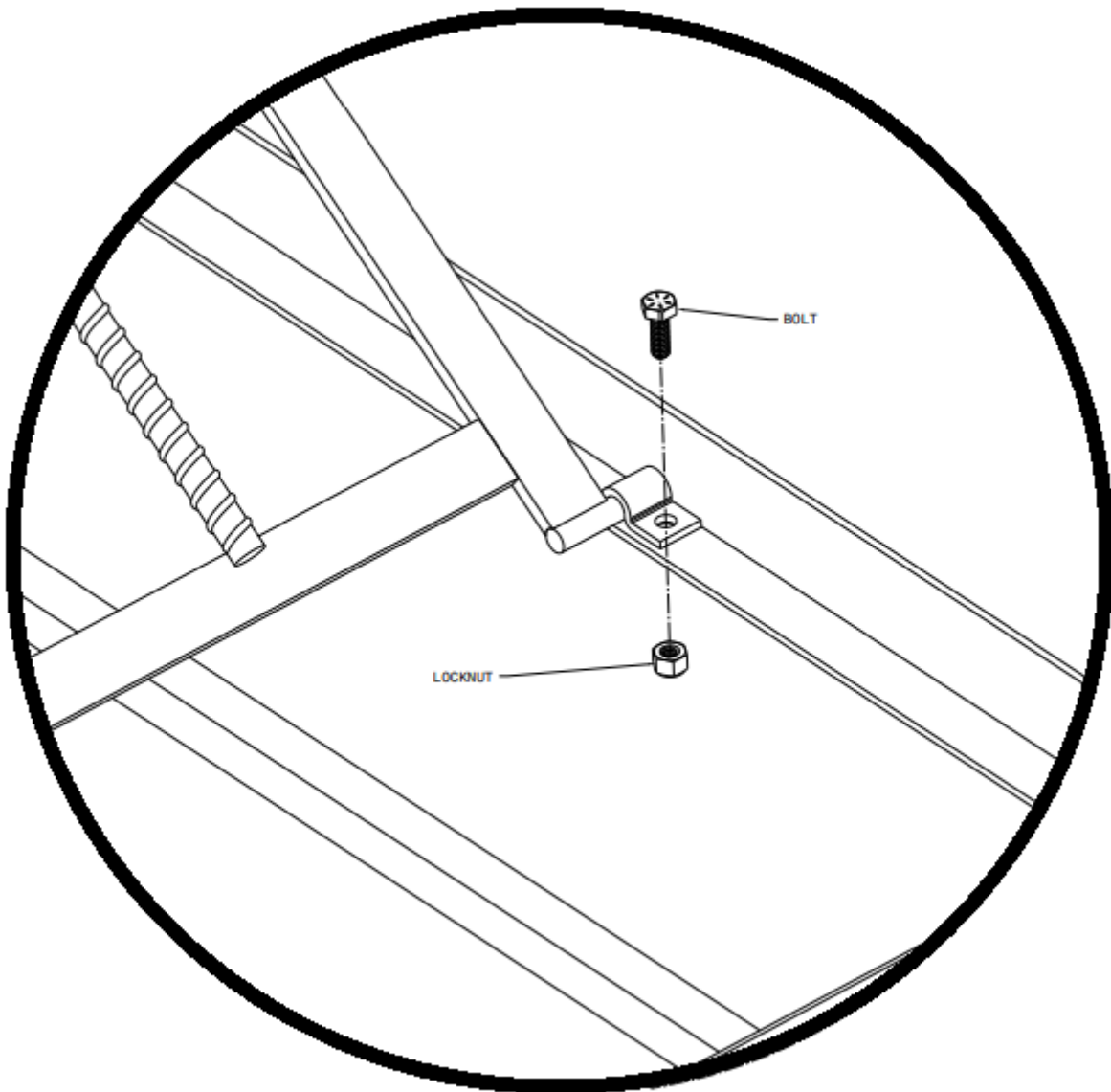


ASSEMBLY – ATTACHING THE EZ LOADER OPTION

WARNING!

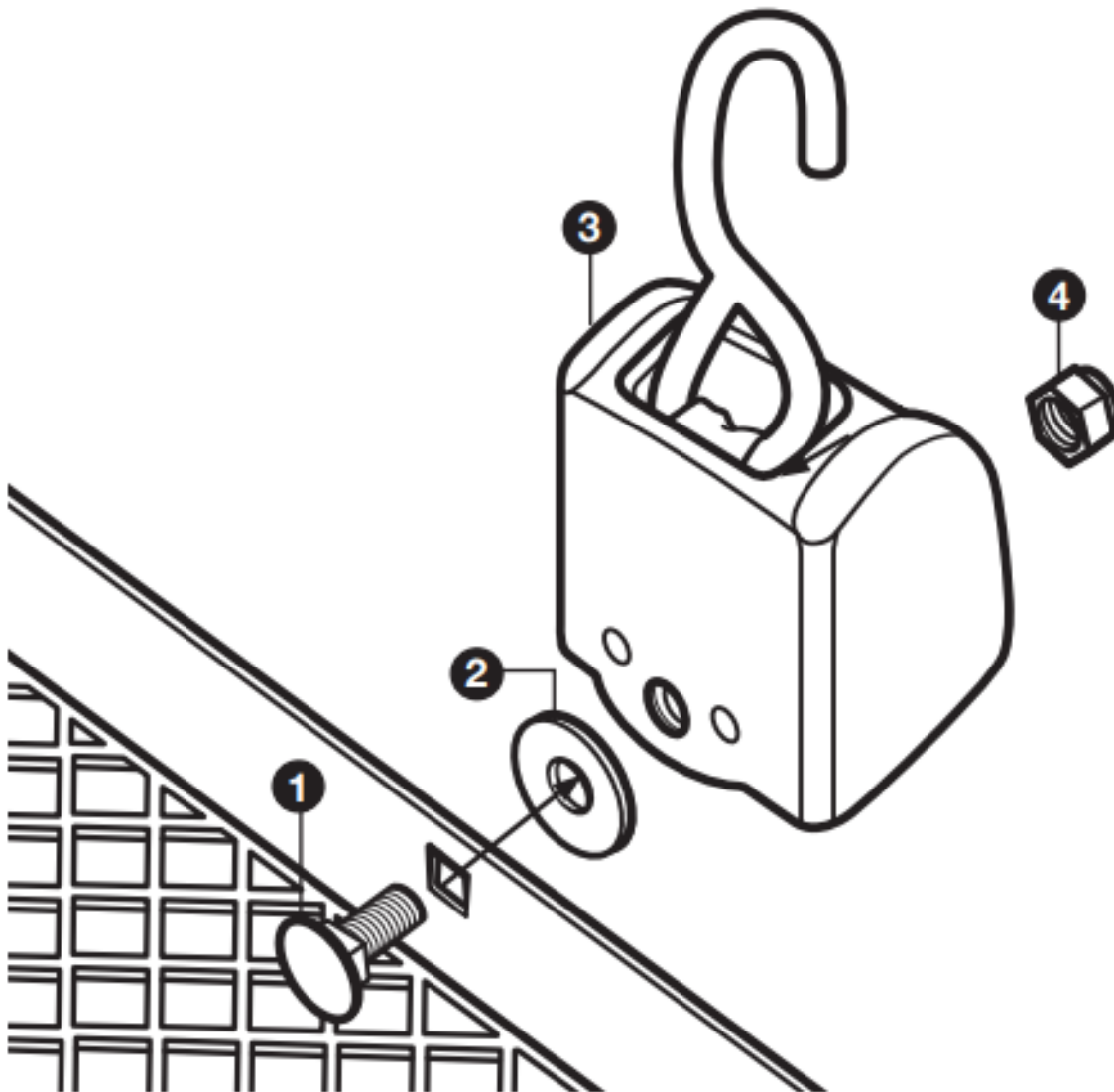
Make sure to always secure the EZ Loader in place with the Ramp Latch Pin when folded up.

1. With the ramp unfolded, lay the EZ Loader on the ramp with the Ramp Latch Pin securing it in place. The handle should be facing up.
2. Place the provided brackets over the two pivot pins on the EZ Loader.
3. Insert the provided hex head bolt into the predrilled holes on the ramp and install the locking nut. Tighten with a 7/16 wrench and socket wrench.
4. The EZ Loader should now fold open and closed in the same manner as the carrier's ramp.



ASSEMBLY – ATTACHING THE CARGO BUCKLE OPTION

- 1.) Insert the 7/16-14 X 1 carriage bolt into the square hole.
- 2.) Place the 5/8 washer over the carriage bolt.
- 3.) Place the carriage bolt through the cargo buckle.
- 4.) Place the lock nut on the screw and firmly tighten using a 5/8 wrench or socket wrench.
- 5.) Confirm that the cargo buckle is securely attached.



FAQS

- **How do I clean and maintain my carrier to get the longest life and best performance?**
 - ✓ Prior to each use, inspect the carrier for any wear or damage – immediately address any concerns as wear or damage to the carrier can cause property damage or severe personal injury. Routinely hand wash your carrier with water to remove salt, dirt and other road debris to prolong the life of your carrier. At regular interval (6 months – 1 year depending on environmental conditions) grease any moving parts.
- **The powdercoat on my carrier has become scratched, chipped, etc. What should I do?**
 - ✓ Wear on powdercoat is expected during the life of the carrier and is only cosmetic. Your powdercoat finish can be touched up with a quality aerosol paint as needed.

NOTES

RETURN AND CANCELLATION POLICY

Return Policy

In an effort to keep our prices as low as possible, we do not build extra fees for returns into our prices. We are happy to accommodate customers who wish to return a product, however we must recover the costs we have incurred as a result. Please read our policy in its entirety before you purchase a carrier so that there is a mutual understanding when you make your purchase. Thank you! When your new product arrives, you have **10 days** to inspect it for any defects or damage. If there are any defects or damage, the manufacturer will repair it at no cost to you, or replace it at the manufacturer's option. The item to be returned must be in new condition, with original packaging, instructions, and warranty material.

If the product is delivered and there are no defects in materials or workmanship, but you do not want it for any reason, you have 10 days following delivery to return it. Simply call our customer service number at 888-302-2774 and let us know what it is you want to return. We will then issue you a Return Authorization number. You the customer are responsible for packaging and shipping the product to us. If you do not have the original box, one may be purchased from us, at the cost of the box plus shipping. Once received at the manufacturer's facility in like new condition, we will refund your purchase price of the product, less a 20% restocking fee and the original outbound freight charges. If original shipping fees cannot be established, we will use our current shipping rates.

* Please note that items purchased through any of our financing options are not eligible for return under any circumstance.

Cancellation Policy

Our products are normally in stock and we try to ship the same day we receive your order. If you need to cancel an order for any reason, please notify us as soon as possible. If we have not shipped your order, there is no fee for cancellation, but if your order has already shipped, our return policy, as stated above, is in effect. This is due to the fact that the item must be re-packaged once the shipper has returned it to us, and we incur shipping charges outbound and inbound for shipping either way.

LIMITED WARRANTY

EXCEPT FOR THE EXPRESS WARRANTIES SET FORTH HEREINAFTER IN THE SECTION TITLED "LIMITED WARRANTY", SELLER MAKES NO WARRANTY WHATSOEVER REGARDING THE GOODS, INCLUDING ANY (1) WARRANTY OF MERCHANTABILITY; OR (2) WARRANTY OF FITNESS FOR A PARTICULAR PURPOSE; WHETHER ARISING BY LAW, COURSE OF DEALING, COURSE OF PERFORMANCE, USAGE OF TRADE, OR OTHERWISE. BUYER ACKNOWLEDGES THAT IT HAS NOT RELIED ON ANY REPRESENTATION OR WARRANTY MADE BY SELLER, OR ANY OTHER PERSON ON SELLER'S BEHALF, EXCEPT AS SPECIFICALLY PROVIDED IN THE SECTION TITLED "LIMITED WARRANTY" OF THIS AGREEMENT.

To activate your Limited Warranty please fill out and return your warranty card or register your product online with us at ezcarrierusa.com within 10 days of receiving your purchase.

Seller warrants to Buyer that:

- 1.) For a period of one year from the date of shipment of goods (the Warranty Period), such goods will be free from any defect in materials used in the manufacture, and/or workmanship at the time of its manufacture.
- 2.) Buyer will receive good and valid title to the goods, free and clear of all encumbrances and liens of any kind.

Warranty Limitations:

The warranties under this Section do not apply where the goods have been subjected to abuse, misuse, neglect, negligence, accident, improper testing, improper installation, improper storage, improper handling, abnormal physical stress, abnormal environmental condition, or use contrary to any instructions issued by Seller; been reconstructed, repaired, or altered by persons other than Seller or its authorized representative; or been used with any third-party product, hardware, or product that has not been previously approved in writing by Seller.

Exclusive remedy for Defective Goods:

Notwithstanding any other provision of this Agreement, this Article contains Buyer's exclusive remedy for goods that do not conform to the warranties listed in section titled "LIMITED WARRANTY" (Defective Goods).

Buyer's remedy under this Article is conditioned on Buyer's compliance with its obligations under this Article. During the Warranty Period, regarding any allegedly Defective Goods:

- 1.) Buyer shall notify Seller, in writing, of any alleged claim or defect within [five] business days from the date Buyer discovers, or on reasonable inspection should have discovered, such alleged claim or defect (but in any event before the expiration of the applicable Warranty Period);
- 2.) Buyer shall ship, at [Buyer's] expense and risk of loss, the allegedly nonconforming goods to Seller's facility designated by Seller for inspection and testing by Seller;
- 3.) If Seller's inspection and testing reveals, to Seller's reasonable satisfaction, that such Defective Goods and any such defect has not been caused or contributed to by any of the factors described under Section "Warranty Limitations", Seller shall in its sole discretion, and at its expense, (a) repair or replace Defective Goods or (b) credit or refund the price of Defective Goods less any applicable discounts, rebates, or credits.
- 4.) If Seller exercises its option to repair or replace, Seller shall, after receiving Buyer's shipment of Defective Goods, ship to Buyer, at [Buyer's] expense and risk of loss, the repaired or replaced goods to the delivery location designated by Seller.
- 5.) Any part replaced under the warranty will be covered for the remaining period of the Warranty Period.
- 6.) Any parts replaced under the warranty must be returned to EZ Carrier, LLC and will become the property of EZ Carrier, LLC. EZ Carrier, LLC may, at its discretion make any repairs or replacement of defective parts but such work shall not be deemed to be any admission of liability.
- 7.) EZ Carrier will bear labor charges for work carried out under the warranty, only as authorized or performed by EZ Carrier, LLC. The warranty may not be transferred to subsequent owners for the balance of the remaining Warranty Period.

- 8.) Buyer has no right to return for repair, replacement, credit, or refund any goods except as set forth in this Section. In no event shall Buyer reconstruct, repair, alter, or replace any goods, in whole or in part, either itself or by or through any third party.

THIS SECTION SETS FORTH BUYER'S SOLE REMEDY AND SELLER'S ENTIRE LIABILITY FOR ANY BREACH OF THE LIMITED WARRANTY SET FORTH IN THE SECTION "LIMITED WARRANTY".

Other Conditions and Exclusions:

- The product must not have been used for competition, misused, inadequately maintained, or incorrectly serviced or maintained.
- The product must not have been subject to any modification, repair, or replacement other than as authorized by EZ Carrier, LLC.
- Defects caused by faulty adjustment, neglect, or repairs and alterations performed by anyone other than EZ Carrier, LLC are not covered by this warranty.
- Defects caused by the use of parts and accessories not authorized by EZ Carrier, LLC are not covered by this warranty.
- The warranty does not cover the cost of transportation of the product to or from EZ Carrier, LLC, or expenses incurred while the product is out of use and under warranty repairs.
- The warranty does not cover product used on a commercial basis.
- The warranty does not cover defects, which have not been reported to EZ Carrier, LLC within the immediate discovery of the defect.
- Should a warranty claim become necessary, EZ Carrier, LLC shall not be liable for loss of use, inconvenience, lost time, commercial losses or other incidental or consequential damages.
- If for any reason, the carrier does not appear to be in good and sound condition, it must not be used. Any loss as a direct or indirect result of the use of the carrier in a compromised condition is the sole liability of the user.
- Paint finish will diminish, scratch, and chip over a period of time due to normal use and therefore paint is not covered under warranty, nor is rust that has resulted from exposed surfaces.
- Actuator and motor on the lifts carry no warranty other than that of the manufacturer of them; actuators, 90 days; motors, one year (EZ Carrier LLC does not make these specific parts).
- Must present copy of this paper work along with copy of proof of purchase as in copy of credit card statement or such at time of warranty work.
- Any statement, condition, representation, description or warranty otherwise contained in any other publication or advertisement shall not be construed as enlarging, varying or overriding anything contained herein.
- EZ Carrier, LLC reserves the right to make alterations or improvements without notification to any model without obligation to do so to products already sold.

LIABILITY DISCLAIMER

The purchaser of the carrier is solely responsible for the installation, use, and the securing of any item being carried. In no event shall EZ Carrier, LLC be liable for any damages whatsoever, including but not limited to any direct, indirect, special, consequential, punitive or incidental damages, or damages for loss of use, profit, or other intangibles, or the cost of procurement of substitute goods and services, arising out of or related to the use, inability to use, unauthorized use, performance or nonperformance of our products. Even if EZ Carrier, LLC has been advised previously of the possibility of such damages and whether such damages arise in contract, negligence, tort, under statute, in equity, at law or otherwise. In no circumstance shall EZ Carrier be liable for any losses or damages whatsoever. All matters are interpreted under Michigan law.